

Gemini sc Series Quick Product Introduction

High Frequency Pure Sine Wave Inverter / Charger



Scan QR Code to view the User Manual



IMPORTANT: Please must read the Installation and Maintenance Instructions Before Connecting to the Supply.
Please download and read the user manual from COTEK website or QR code before starting to use the SC Inverter.

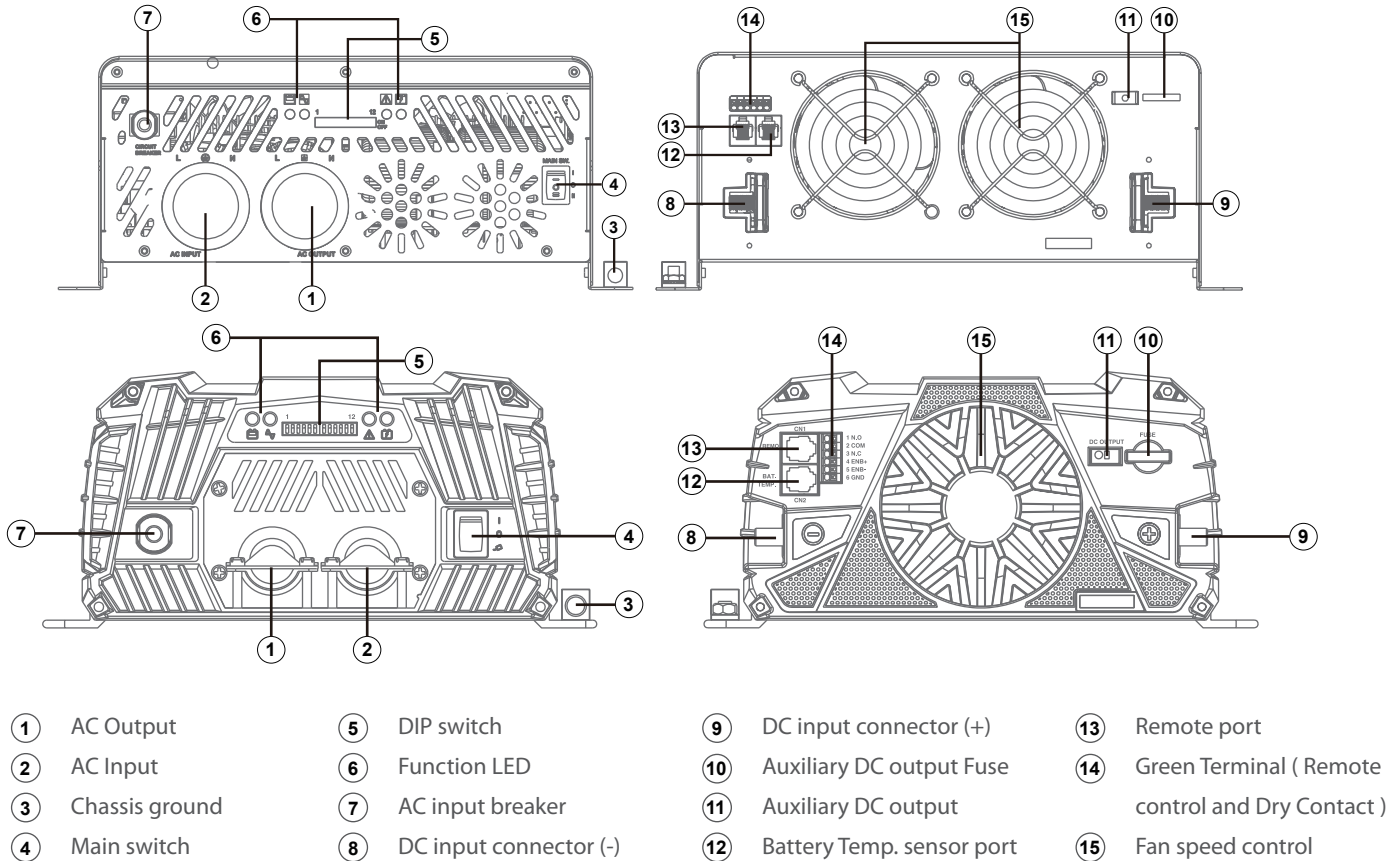
Inverter Mode		SC-1200	SC-2000	SC-3000
Output	Continuous Output Power	1200 VA ± 3%	2000 VA ± 3%	3000 VA ± 3%
	Surge Power	Load 101%~115% (1 Min) / 116%~200% (3 Sec) / >200% (0.2 Sec)		
	Frequency	50/60 Hz +/- 0.3 Hz (User-selectable)		
	Output Waveform	Pure Sine Wave (THD < 5% @ 12.5V/25V/115VAC, linear load) / (THD < 3% @ 12.5V/25V/230VAC, linear load)		
Protection	Input Protection	Over / Under Voltage, Reverse Polarity (Internal Fuse)		
	AC Output Protection	Short-Circuit, Overload		
	Temperature protection	Shutdown		
	Battery Temp. protection	By a RJ-11 connector to battery Temperature sensor		
Charger Mode				
AC Input	Input Frequency Range	50Hz : 47 ~ 53 Hz / 60Hz : 57 ~ 63 Hz		
	Efficiency (Max.)	>88%		>87%
	Power Factor Correction(PFC)	>0.95 (Max.)		
Auxiliary DC Output	Output Voltage	Battery Voltage		
	Output Current	20A Max		
DC Output	Battery Control	Bulk / Absorption / Float (3-stage Battery Chargers)		
Signal and Control	Remote Control Panel	CR-20C / CR-16B / CR-8 (Optional)		
	Remote Control Terminal	Controls the inverter ON / OFF operation		
	Dry Contact Terminal	By a relay		
Other				
Working Temp. Range	Full Load	-20 °C ~ 50 °C	-20 °C ~ 40 °C	-20 °C ~ 40 °C
	Power de-rating	40 W per °C, 51~60 °C	60W per °C, 41~60 °C	40W per °C, 41~60 °C
	Storage	-30 °C ~ 70 °C		
Working Humidity	Max 93%, Non-condensing			
Cooling	Temperature & Load Controlled Cooling Fan			
Dimension		251 x 116 x 386mm	251 x 116 x 453mm	314 x 127.4 x 508.8 mm

Inverter Mode		SC Series-112	SC Series-124	SC Series-212	SC Series-224
Input	Nominal Voltage	12 VDC	24 VDC	12 VDC	24 VDC
	Input Voltage Range (±0.5V)	10.5 ~ 16.5 VDC	21 ~ 33 VDC	10.5 ~ 16.5 VDC	21 ~ 33 VDC
	Over-Voltage Protection(±0.5V)	16.5 VDC	33 VDC	16.5 VDC	33 VDC
	Under-Voltage Protection(±0.5V)	10.5 VDC	21 VDC	10.5 VDC	21 VDC
	Input Current (Max)	SC-1200: 132A SC-2000: 260A SC-3000: 390 A	SC-1200: 66A SC-2000: 130 A SC-3000: 195 A	SC-1200: 132A SC-2000: 260A SC-3000: 390 A	SC-1200: 66A SC-2000: 130 A SC-3000: 195 A
	No Load Current	SC-1200: < 3.0 A @12.5V SC-3000: < 5.0 A @12.5V	SC-1200: < 1.5 A @25V SC-3000: < 2.5 A @25V	SC-1200: < 3.0 A @12.5V SC-3000: < 5.0 A @12.5V	SC-1200: < 1.5 A @25V SC-3000: < 2.5 A @25V
Stand-By Current	SC-1200/2000: < 0.4 A SC-3000: < 0.6 A	SC-1200/2000: < 0.2 A SC-3000: < 0.3 A	SC-1200/2000: < 0.4 A SC-3000: < 0.6 A	SC-1200/2000: < 0.2 A SC-3000: < 0.3 A	
Output	Output Voltage	100 / 110 / 115 / 120VAC +/-3%		200 / 220 / 230 / 240VAC +/-3%	
	Max. Efficiency	89%	90%	89%	90%
	INV. AC Output (Max.)	SC-1200 : 12A, SC-2000 : 20A, SC-3000 : 30A		SC-1200 : 6A, SC-2000 : 10A, SC-3000 : 15A	
	AC Output (Max.)	SC-1200 : 30A, SC-2000 : 30A, SC-3000 : 50A		SC-1200 : 22A, SC-2000 : 26A, SC-3000 : 30A	
Protection	AC Input Protection	30 Amp Circuit Breaker		16 Amp Circuit Breaker	
Charger Mode					
AC Input	Nominal Voltage / Frequency	110 VAC, 50 / 60Hz (User-selectable)		230 VAC, 50 / 60Hz(User-selectable)	
	Input Voltage Range	90 ~ 132 VAC		180 ~ 264 VAC	
	Nominal Current	SC-1200 : 8.2A (@110VAC) , SC-2000 : 16.5A (@110VAC) SC-3000 : 24.5A (@110VAC)		SC-1200 : 3.9A (@230VAC) , SC-2000 : 7.9A (@230VAC) SC-3000 : 11.7A (@230VAC)	
DC Output	Charging Current Range	SC-1200 : 12.5/25/37.5/50A SC-2000 : 25/50/75/100A SC-3000 : 37.5 / 75 / 112.5 / 150A	SC-1200 : 6.25/12.5/18.75/25A SC-2000 : 12.5/25/37.5/50A SC-3000 : 18.75 / 37.5 / 56.25 / 75A	SC-1200 : 12.5/25/37.5/50A SC-2000 : 25/50/75/100A SC-3000 : 37.5 / 75 / 112.5 / 150A	SC-1200 : 6.25/12.5/18.75/25A SC-2000 : 12.5/25/37.5/50A SC-3000 : 18.75 / 37.5 / 56.25 / 75A
	Max. Output Voltage	14.4 VDC @ GEL TYPE		28.8VDC @ GEL TYPE	
Bypass Relay	Battery Temp. Compensation	-25 mV per °C	-50 mV per °C	-25 mV per °C	-50 mV per °C

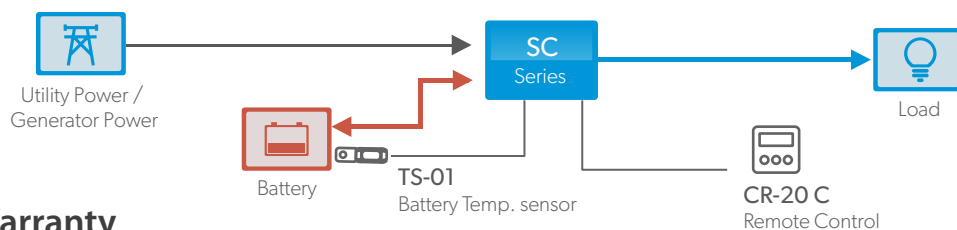
Safety and EMS	SC Series-112	SC Series-124	SC Series-212	SC Series-224
Safety Standards	UL458 & Supplement SA / UL1741 (SC-1200/2000) UL458 (SC-3000)		EN 62368-1	
E-mark	---		Certified CISPR 25 ; ISO7637-2 (SC-1200/2000)	
EMC Standards	Certified FCC Class A*		EN55032 Class A* , EN55024 Class A* , EN61000-3-2, 3-3 EN61000-4-2, 3, 4, 5, 6, 8, 11	

*Warning : SC series is a class A product. In a domestic environment this product may cause radio interference in which case the user may be required to take adequate measures.

Product Appearance



Product Installation



Warranty



Warning!

Do not open or disassemble the Inverter. Attempting to do so may cause risk of electrical shock or fire.

We guarantee this product against defects in materials and workmanship for a period of 24 months from the date of purchase.

In case you need to repair or replace any defective power inverters, please contact COTEK local distributor.

This warranty will be considered void if the unit has been misused, altered, or accidentally damaged. COTEK is not liable for anything that occurs as a result of the user's fault.